

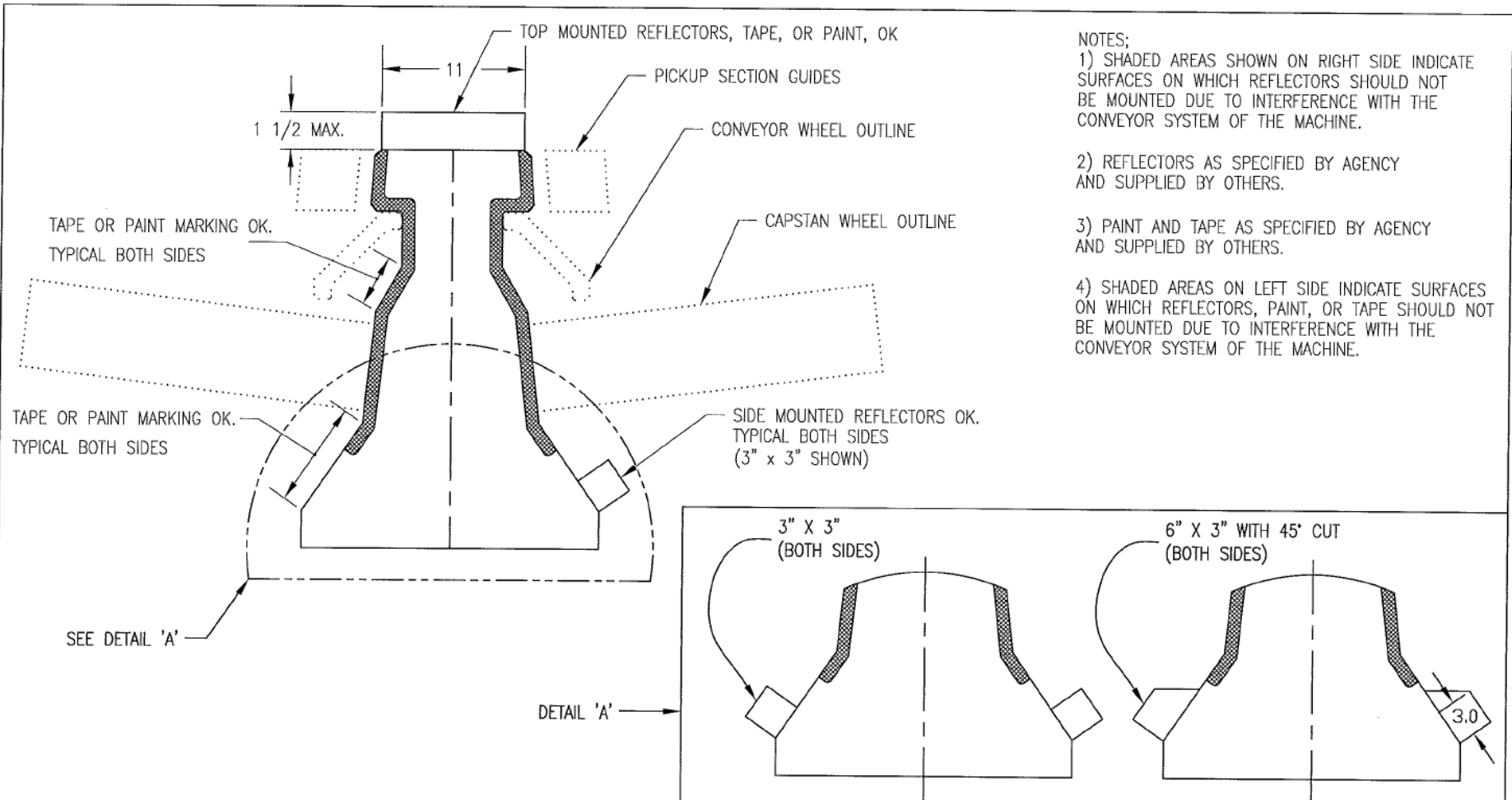
**TECHNICAL
BRIEF**

180 River Road • Rio Vista, CA 94571 • Tel 707-374-6800 • Fax 707-374-6801
Email: info@barriersystemsinc.com • Website: barriersystemsinc.com

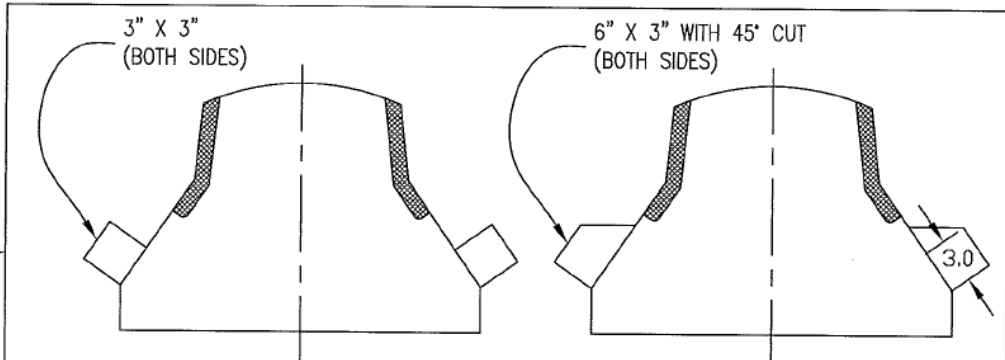
ACCEPTABLE REFLECTOR MOUNTING LOCATIONS

Please refer to Barrier Systems drawings B960502 Rev.D; B040103 Rev.A and B040104 Rev.B (copies attached). These drawings shows the acceptable reflector mounting locations and the acceptable mounting locations for tape or paint for the various styles of Quickchange® Moveable Barrier that will be the least likely to interfere with the conveying system of the Barrier Transfer Machines.

If there are any questions please contact the engineering department of Barrier Systems Inc.



- NOTES;
- 1) SHADED AREAS SHOWN ON RIGHT SIDE INDICATE SURFACES ON WHICH REFLECTORS SHOULD NOT BE MOUNTED DUE TO INTERFERENCE WITH THE CONVEYOR SYSTEM OF THE MACHINE.
 - 2) REFLECTORS AS SPECIFIED BY AGENCY AND SUPPLIED BY OTHERS.
 - 3) PAINT AND TAPE AS SPECIFIED BY AGENCY AND SUPPLIED BY OTHERS.
 - 4) SHADED AREAS ON LEFT SIDE INDICATE SURFACES ON WHICH REFLECTORS, PAINT, OR TAPE SHOULD NOT BE MOUNTED DUE TO INTERFERENCE WITH THE CONVEYOR SYSTEM OF THE MACHINE.



© 1996 Barrier Systems, Inc. The information hereon is proprietary to Barrier Systems Inc. and shall not be disclosed, duplicated or used otherwise without the express written approval of Barrier Systems Inc.	D	SEE ECN# 1531	6/22/10	AEM					SCALE: QUARTER	Standard Tolerance		
	C	SEE ECN#00485	05-05-03	JES					DATE	INIT.	Angular ± 1/2°	
	B	SEE ECN#00457	03-13-03	JES					DRAWN BY 5/2/96	SLP	Fractional ± 1/16	
	A	ADDED 2 1/2 & 11 DIMENSIONS	12/12/97	DGB					CHECKED BY 5/2/96	JSM	Decimal ± .010	
REV.	CHANGES	DATE	BY	REQ'D	NEXT ASSY.	ITEM	TITLE: LOCATIONS, ACCEPTABLE REFLECTOR MOUNTING			MODEL	DRAWING NUMBER	REV.
											B960502	D

