

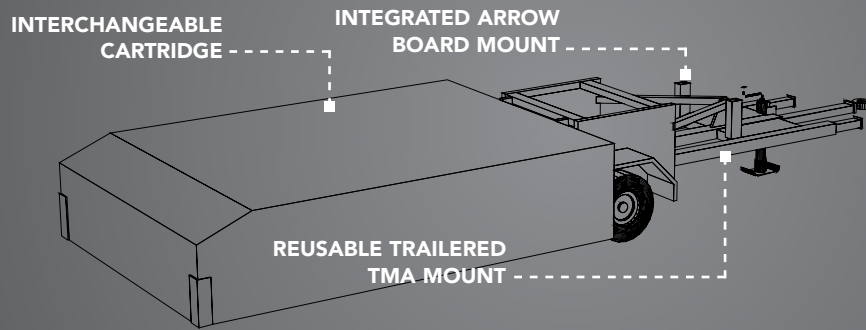
## U-MAD® TRAILER | TRAILER TRUCK MOUNTED ATTENUATOR

- LOW COST REUSABLE TRAILER TMA
- CARTRIDGE INTERCHANGEABLE WITH U-MAD TMA
- NCHRP 350 ACCEPTED WITH ARROW / MESSAGE BOARD ATTACHED



## PHYSICAL SPECIFICATIONS

Classification	TTMA	
TL-3 Length	21' 4"	6.55 m
Width	90"	229 cm
Height	40"	102 cm
TL-3 Weight	2525 lb.	1145 kg
Test Level	NCHRP 350	TL 1/2/3



## TL-2 & TL-3 TRAILER TMA PROTECTION IN A REUSABLE DESIGN

The U-MAD Trailer TMA features a reusable trailer that only requires replacement of a standard U-MAD TMA cartridge after design impacts. The U-MAD Trailer TMA has been engineered to capture an errant vehicle during a design impact and keeps both the impacted and impacting vehicles in the same traveling lane. The U-MAD Trailer TMA meets all mandatory and optional NCHRP 350 TL-3 tests. The U-MAD Trailer TMA is also available as a TL-2 System.

## FREQUENTLY ASKED QUESTIONS

### What is reusable after a design impact?

After a typical design impact only the cartridge needs to be replaced.

### Does the U-MAD Trailer TMA meet NCHRP 350 TL-3 optional test criteria?

Yes, the U-MAD Trailer TMA meets all required test criteria for mandatory and optional tests under NCHRP Report 350 TL-3.

### What is the cartridge replacement procedure for the U-MAD Trailer TMA?

The replacement procedure is very simple. All that is required is removing and replacing a cartridge, two bolts and a cylinder pin.

### How does the U-MAD Trailer TMA attach to a truck?

The U-MAD Trailer TMA utilizes a standard 8 ton pintle hook. There is no need to make any modifications to the host vehicle.

## FEATURES

- » Meets NCHRP 350 TL-3 testing criteria with arrowboard attached
- » Integrated universal message board mount standard
- » Only the cartridge needs to be replaced after a design impact
- » Passes all mandatory and optional NCHRP 350 TL-2 and TL-3 tests
- » Trailer is reusable after design impacts
- » Engineered to keep the impacting vehicle and support vehicle in the travel lane even after angle impacts
- » Utilizes U-MAD TMA TL-2 or TL-3 cartridges to reduce inventory costs

## DISTRIBUTED BY:



Lindsay Transportation Solutions Sales and Services, Inc.

180 River Road • Rio Vista, CA 94571 • +1 707.374.6800 U.S. Toll Free: 888.800.3691 • [www.barrriersystemsinc.com](http://www.barrriersystemsinc.com)

General details for the U-MAD Trailer TMA are subject to change without notice to reflect improvements and upgrades.

Additional information is available from Lindsay Transportation Solutions Sales and Services, Inc. © Lindsay Transportation Solutions, Inc.

PT # UMADT04-03252013